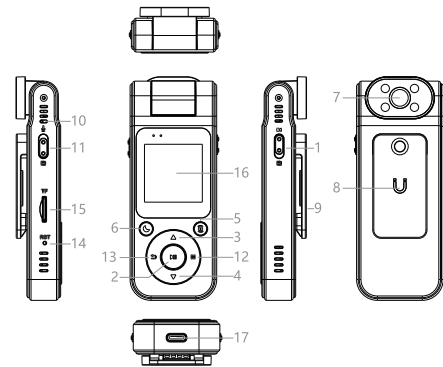


一、产品结构

产品说明



- 1) 录像/保存键
- 2) 电源键/确认键
- 3) 上键
- 4) 下键
- 5) 镜头旋转键
- 6) 拍照/夜视灯 开/关
- 7) 镜头
- 8) 背面磁铁
- 9) 正面背夹
- 10) 喇叭孔
- 11) 录音/保存键
- 12) 菜单键
- 13) 返回键
- 14) 复位孔
- 15) TF 卡槽
- 16) 显示屏
- 17) USB 接口

二、按键及接口功能介绍

1. 录像/保存键

按键往上拨动开始录像，往下拨动停止录像并保存。

2. 电源键

- 1) 长按可开/关机；
- 2) 菜单模式下为确认键；
- 3) 录像时，短按可加锁。

3. 上键

- 1) 向上选择键；
- 2) 录像/拍照模式下短按放大焦距。

4. 下键

- 1) 向下选择键；
- 2) 录像/拍照模式下短按可缩小焦距。

5. 镜头旋转键

- 1) 短按画面旋转 180 度；

6. 拍照/保存键

- 1) 其他模式下长按进入拍照模式，再次长按可进行拍照；
- 2) 录像模式录像时短按可抓拍；
- 3) 短按开启夜视。
- 4) 拍照模式下长按 (13) 返回键3下返回录像界面。

11. 录音/保存键

按键往上拨动开始录音，往下拨动停止录音并保存。录着界面长按 (13) 返回键按3下返回录像界面。

12. 菜单键

短按进入菜单设置界面，再次短按退出菜单界面 (短按电源键确认更改设置并保存)。

13. 返回键

长按进入相册；再次短按进入列表模式查看；短按进行屏保模式。

14. 复位孔

当机器出现花屏、异常死机等情况时，用针孔状的东西短戳一下可重新启动。

15. TF 卡槽

存储卡插槽

17. USB 接口

- 1) 接口类型：Type-C
- 2) 用于连接外接电源给电池充电或提供工作电源。
- 3) 用于连接 PC 端可进行 '存储器/PC 摄像/视频模式' 操作。
- 4) 不可用多功能拍照，同时两台设备一起充电

三、基本操作说明

1. USB 模式

设备使用 USB 数据与电脑连接，设备自动开机后屏幕显示 '存储器/PC 摄像/视频模式' 三个选项：

存储器：在此模式下可进行视频文件或者照片文件的存取与查看；

PC 摄像：在此模式下可用于电脑摄像头进行使用；

视频模式：仅用于电脑给设备供电。

四、产品参数与规格

镜头	可旋转镜头，180 度
TFT 显示屏	彩色显示屏(240*240)
录像分辨率	1920x1080P 、 1280x720P 、 2K 4K
录像文件格式	AVI
图片质量	1M、2M、3M
照片格式	JPG
循环录像	关、3 分钟、5 分钟、10 分钟、15 分钟
白平衡	自动、日光、阴天、钨丝灯、荧光灯
曝光补偿	2、1、0、-1、-2
录音功能	关、开

时间标志	关、开
按键音	关、开
自动关机	关、1 分钟、3 分钟、5 分钟
语言	英、简体中、繁体中、日、韩、俄、法、 德、捷克、葡萄牙、波兰、荷兰、土耳其、 泰
交流频率	50Hz、60Hz
自动关屏	关、1 分钟、3 分钟、5 分钟
格式化	
工作湿度	30%
工作温度	+65 -20°C
供电	USB 电压 5V,电流≥1A
待机电流	USB 整机待机电流:≤5.44mA 电池 待机电流:≤39.1uA
低电提示	3.48V
电源功耗	BAT3.7V/ ≤ 262mA / ≤ 0.97W USB5V/≤ 637mA /≤3.18W
内存卡	TF 卡，最大支持 128G

注意:本产品保留设计和规格更改权恕不另行通知。

扫描下面二维码进行 APP 下载安装

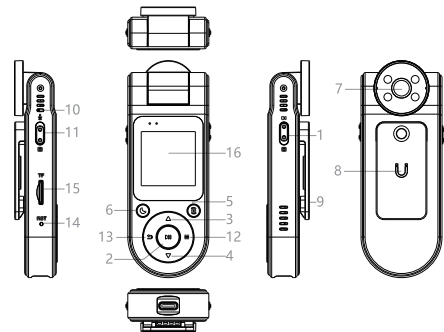


SSID: L19/L20开头
密码: 12345678

长按下键是打开 WIFI，再按退出 WIFI
(WIFI可选) 无wifi不需下载

1. Product structure

Product description



Note: The appearance picture is subject to the actual

- | | |
|--|-------------------------|
| 1) Video/Save key | 9) Front and back clips |
| 2) Power button/Confirm button | 10) mark hole |
| 3) Up key | 11) Record/Save key |
| 4) Down key | 12) Menu key |
| 5) Lens rotation button | 13) Return key |
| 6) Take photos/night vision light on/off | 14) Reset hole |
| 7) The lens | 15) TF card slot |
| 8) Back magnet | 16) Display screen |
| | 17) USB interface |

2. Introduction of buttons and interface functions

1. Video/Save key

Push the button up to start recording, push it down to stop recording and save.

2. Power button

- 1) Long press to turn on/off;
- 2) Confirm key in menu mode;
- 3) When recording, short press to lock.

3. Press the upper key

- 1) Up select key;
- 2) Short press to enlarge the focal length in video/photo mode.

4. Press the down button

- 1) Down select key;
 - 2) Short press in video/photo mode to reduce the focus.
- ### 5. Lens rotation button
- 1) Press the screen to rotate 180 degrees;
 - 2) Long press to quickly change the resolution (you need to set it in the menu first).

6. Photo/Save button

- 1) Long press to enter photography mode in other modes, long press again to take photos
- 2) Short press to capture footage during recording mode
- 3) Short press to turn on night vision.

4) In photo mode press (13) return key 3 to return to the video interface

11. Recording/saving keys

Press the button upwards to start recording, and downwards to stop recording and save. Long press (13) and press the return button 3 times to return to the recording interface.

12. Menu keys

Short press to enter the menu settings interface, then short press again to exit the menu (short press the power button to confirm changing the settings and save).

13. Return key

Long press to enter the album; Short press again to enter list mode for viewing; Short press to enter screen saver mode

14. reset holes

When the machine experiences screen blur, abnormal crashes, and other situations, short poke with a needle hole like object to restart

15. TF card slot

Memory card slot

17. USB interface

- 1) Interface type: Type-c
- 2) Used to connect an external power source to charge the battery or provide working power
- 3) Used to connect to the PC for memory/PC camera and video mode operation.
- 4) Multi function photography is not available, and two devices can be charged together at the same time

3. Basic operating instruction

5. USB mode

The device uses USB data to connect to the computer. After the device starts up automatically, the screen displays three options of "memory /PC camera/video mode" :

Memory: In this mode, video files or photos can be accessed and viewed;

PC camera: In this mode can be used for computer camera;

Video mode: Used only by the computer to power the device.

4. Product parameters and specifications

lens	Rotatable lens, 180 degrees
TFT display	Color display (240*240)
Video resolution	1920x1080P、1280x720P、2K、4K
Video file format	AVI
Picture quality	1M、2M、3M
Photo format	JPG
Loop video	Off, 3 minutes, 5 minutes, 10 minutes, 15 minutes
White balance	Automatic, daylight, cloudy, tungsten lamp, fluorescent lamp
Exposure compensation	2、1、0、-1、-2
Recording	Close and open

Time stamp	Close and open
Key Tone	Close and open
Automatic shutdown	Off, 1 minute, 3 minute, 5 minute
language	English, Simplified Chinese, Traditional Chinese, Japanese, Korean, Russian, French, German, Czech, Portuguese, Polish, Dutch, Turkish, Thai
Ac frequency	50Hz、60Hz
Automatic screen shutdown	Off, 1 minute, 3 minute, 5 minute
Format	
Working humidity	30%
Operating temperature	+65 -20°C
Power supply	USB voltage 5V, current ≥1A
Standby current	USB standby current :≤5.44mA Battery standby current :≤39.1uA
Low current warning	3.48V

Power consumption	BAT3.7V/≤ 262mA /≤0.97W USB5V/≤ 637mA /≤3.18W
Memory card	TF card, maximum support 128G

Note: Design and specifications are subject to change without prior notice.

Scan the QR code below to download and install the APP



WIFI Long press the button to turn on WIFI, then press to exit WIFI

SSID: Starting with L19/L20
Password: 12345678

(WIFI optional) non wifi products do not need to download